



PRODUCTS CATALOG

ELECTRICAL ENCLOSURES & MODULAR CABINETS



20

exmweb.com

NEMA 4X ENCLOSURES

5412 ESSCH

STAINLESS STEEL JIC ENCLOSURES (BOLTED FEET)

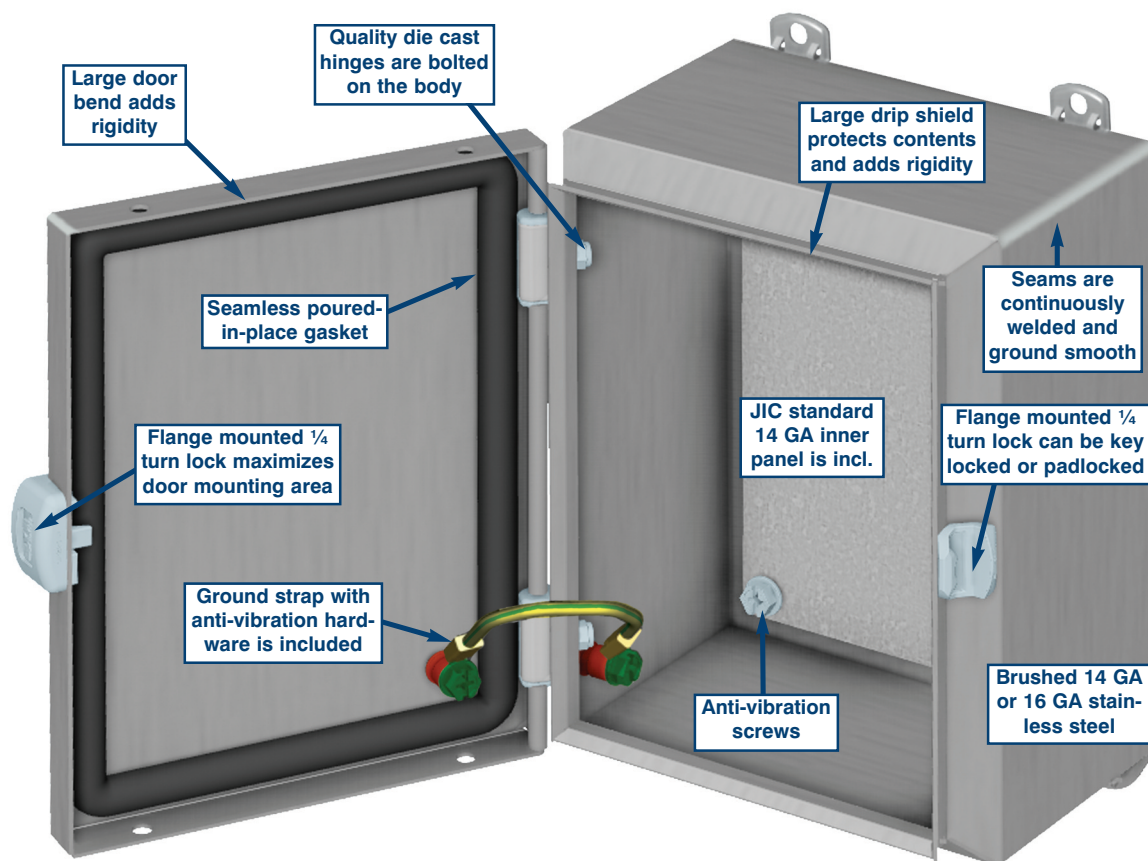
The 5412 ESSCH are used indoors or outdoors to protect the enclosed controls from dust, dirt, oil and water splashing. The 5412 ESSCH are made of high quality 16 GA (Type 304) stainless steel, with continuously welded corner seams. The opening has a curled lip around all sides to increase rigidity and prevent dripping water from entering the enclosure when the door is open. A high quality, robotically poured-in-place, seamless gasket ensures a complete and durable water tight seal. This enclosure features

incorporated hinging, meaning that the hinge is a part of the box and part of the cover. This minimizes the amount of welding and allows the door to be easily removed by pulling out the full length mushroom head hinge pin. Very few JIC type enclosures offer this considerable advantage. **EXM's exclusive flange-mounted ¼ turn locking system** ensures positive closing while leaving a fully workable mounting surface on the door. **Each enclosure comes complete with a 14 GA galvanized inner panel,**

which mounts on welded nuts. The four external wall-mounting holes are oblong to facilitate installation and the mounting feet are incorporated into the body of the enclosure. The enclosures' exterior and interior are brushed stainless steel. Inner panel is galvanized (other colors available).

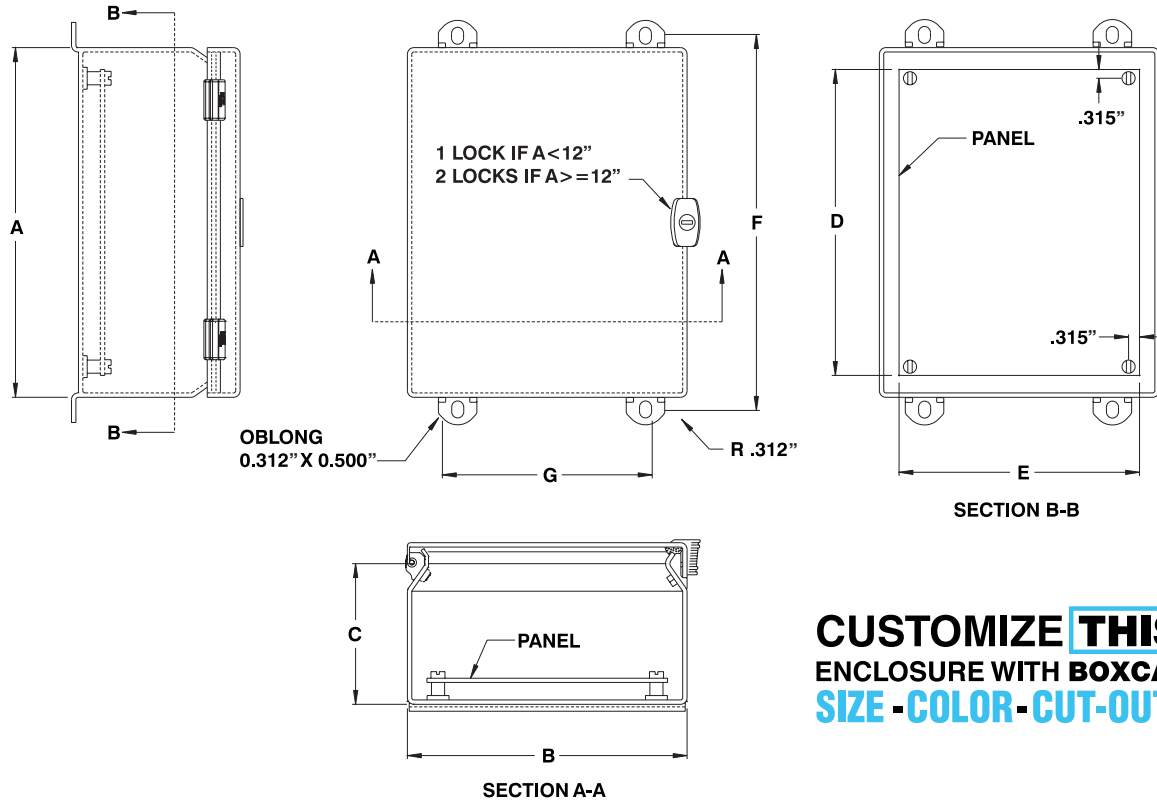
**CSA Certified / UL Listed
NEMA/EEMAC 4X / IP66**

Refer to p.734 to validate choice of substrate for the application



324





CUSTOMIZE THIS
ENCLOSURE WITH **BOXCAD**
SIZE - COLOR - CUT-OUTS

CATALOG NUMBER	DIMENSIONS							SHIP WGHT LBS.
	A	B	C	D	E	F	G	
5412 ESSCH040403	4	4	3	No.Pan.	No.Pan.	4.75	2	2
5412 ESSCH060403	6	4	3	4.88	2.88	6.75	2	3
5412 ESSCH060404	6	4	4	4.88	2.88	6.75	2	4
5412 ESSCH060604	6	6	4	4.88	4.88	6.75	4	5
5412 ESSCH080604	8	6	4	6.88	4.88	8.75	4	6
5412 ESSCH080804	8	8	4	6.88	6.88	8.75	6	8
5412 ESSCH081004	8	10	4	6.88	8.88	8.75	8	10
5412 ESSCH100804	10	8	4	8.88	6.88	10.75	6	10
5412 ESSCH120604	12	6	4	10.88	4.88	12.75	4	8
5412 ESSCH060605	6	6	5	4.88	4.88	6.75	4	6
5412 ESSCH080605	8	6	5	6.88	4.88	8.75	4	7
5412 ESSCH101005	10	10	5	8.88	8.88	10.75	8	14
5412 ESSCH101205	10	12	5	8.88	10.88	10.75	10	16
5412 ESSCH121005	12	10	5	10.88	8.88	12.75	8	16
5412 ESSCH121205	12	12	5	10.88	10.88	12.75	10	18
5412 ESSCH080606	8	6	6	6.88	4.88	8.75	4	7
5412 ESSCH100806	10	8	6	8.88	6.88	10.75	6	12
5412 ESSCH101006	10	10	6	8.88	8.88	10.75	8	14
5412 ESSCH121206	12	12	6	10.88	10.88	12.75	10	18
5412 ESSCH121406	12	14	6	10.88	12.88	12.75	12	19
5412 ESSCH140806	14	8	6	12.88	6.88	14.75	6	10
5412 ESSCH141206	14	12	6	12.88	10.88	14.75	10	19
5412 ESSCH141606	14	16	6	12.88	14.88	14.75	14	23
5412 ESSCH161006	16	10	6	14.88	8.88	16.75	8	19
5412 ESSCH161206	16	12	6	14.88	10.88	16.75	10	21
5412 ESSCH161406	16	14	6	14.88	12.88	16.75	12	23
5412 ESSCH121008	12	10	8	10.88	8.88	12.75	8	16
5412 ESSCH141208	14	12	8	12.88	10.88	14.75	10	20
5412 ESSCH161208	16	12	8	14.88	10.88	16.75	10	25
5412 ESSCH161408	16	14	8	14.88	12.88	16.75	12	26
5412 ESSCH161410	16	14	10	14.88	12.88	16.75	12	27



† Add suffix '6' to the catalog number for 316 stainless steel.
ex. 5412 ESSCH1212066



325